



SINAMICS G110D Supplementary products (compact)



Supplementary products for
Frequency converter Siemens G110D



Connection method complete from one hand

On the following pages we offer You a broad spectrum of connection methods for all interfaces of the G110D.

We provide You with every desired cable length from one piece.

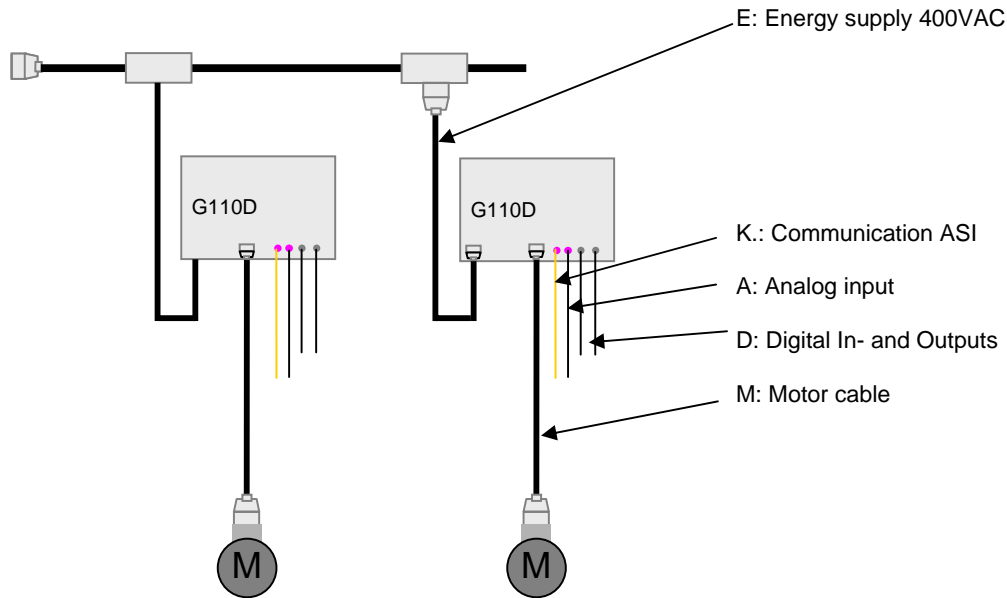
Modifications and special solutions we deliver You on request.

You find further products, for example like test equipment in the Internet.

www.knorrtec.de

<http://knorrtec.es-shops.de/>

You find detailed technical information in our catalog:
g120d_supplementary_products_knorrtec_02_2008.pdf



„X“	Interface	Purchase order number	Description	Cable outlet	Assembling
K	ASI	70027300xxxxxx	One sided cord set, socket M12A	straight	4x 0,75 mm ² flexibly, PVC
K		70027400xxxxxx		angled	
D	E/A digital/ analog	70023000xxxxxx	Onesided cord set pin M12 A	straight	5x0,25 mm ² ; PVC grey
D		70023400xxxxxx		angled	
D		70018300xxxxxx		angled	
D		70020300xxxxxx	Double-sided cord set Pin/socket	angled	5x0,25 mm ² PUR black
		70022900xxxxxx	Double-sided cord set angled pin/ straight socket	angled/straight	5x0,25 mm ² ; PVC grey
D		30023700	Cable plug M12 A	straight	
D		30023710		angled	

Product key for the cable length of cord sets: 7xxxxxx00XXXX

m cm

Supplementary products for
Frequency converter Siemens G110D



„X“	Interface	Purchase order number	Description	Cable outlet	Assembling	
E	Power distribution	100353xx	Powerbox Weidmüller	Clamp or plug	Article code for cable combination (seals see UPD100353xx)	
E		100187xx	Power S Harting	Plug	Bus 5 x 2,5 - 6mm ² branch 5 x 2,5 - 6mm ² (seals see UPD100187xx)	
E	400V in	70013700xxxxxx	Power bus cable	angled	4 x 2,5 mm ²	
E		70013800xxxxxx	Onesided cord set		4 x 4 mm ²	
E		70013200xxxxxx	Socket ISO23570-3		4x 6 mm ²	
E		70017300xxxxxx	Power bus cable	angled	4 x 2,5 mm ²	
E		70019100xxxxxx	Double-sided cord set PTS4 – socket ISO23570-3		4 x 4 mm ²	
E		70008800xxxxxx	Power bus cable	straight/ angled	4 x 2,5 mm ²	
E		70008900xxxxxx	Double-sided cord set		4 x 4 mm ²	
E		70013600xxxxxx	Straight pin, - angled socket ISO23570-3		4x 6 mm ²	
E		400V breakout	10031010	Power bus plug	angled	4 x 2,5 mm ²
E			10018110	ISO23570-3 socket		4 x 4 mm ²
E			10018210	Plastic housing		4 x 6 mm ²
E			10030910	Power bus plug	straight	4 x 2,5 mm ²
E			10017710	ISO23570-3 pin		4 x 4 mm ²
E	10017810		Plastic housing	4 x 6 mm ²		
E	400V	10029400	Power bus cable	By the Meter	4 x 2,5 mm ²	
E		10029500			4 x 4 mm ²	
E		10029600			4 x 6 mm ²	
E		10036710	CONLOC plug housing ISO 23570-3 model 2 lockable (for 4/2 pol pin)			
M	Motor out	70018601xxxxxx	One sided cord set 9pol pins, angled ISO23570-3	angled	((4x1+2x(2x0,75))mm ² (0,75 kW/ 1,5 kW)	
M		70009601xxxxxx			((4x2,5+2x(2x0,75))mm ² (3,0 k'W/ 4 kW)	
M		70017001xxxxxx			((4x4+2x(2x1))mm ² (5,5 kW/ 7,5 kW)	
M		10032031	Motor plug set 9pol pins, angled ISO23570-3	angled	Für Ltg ((4x1+2x(2x0,75))mm ² (0,75 kW/ 1,5 kW)	
M		10032011			Für Ltg ((4x2,5+2x(2x0,75))mm ² (3,0 k'W/ 4 kW)	
M		10032021			Für Ltg:((4x4+2x(2x1))mm ² (5,5 kW/ 7,5 kW)	
M		10036700	CONLOC plug housing ISO 23570-3 model 2 lockable (for 9 pol socket)			

Product key for the cable length of cord sets: 7xxxxxxx00XXXX

m cm

Supplementary products for
Frequency converter Siemens G110D



„X“	Interface	Purchase order number	Description	Cable outlet	Assembling
M	Motor	70018501xxxxxx	Motor cable fc shielded, integrated star bridge, ISO23570-3 model 2 pin, ISO23570-3 model 1 socket,	angled/straight	((4x1+2x(2x0,75))mm ² (0,75 kW/ 1,5 kW)
M		70012301xxxxxx			((4x2,5+2x(2x0,75))mm ² (3,0 kW/ 4 kW)
M		70016801xxxxxx			((4x4+2x(2x1))mm ² (5,5 kW/ 7,5 kW)
M		70021501xxxxxx	Motor cable fc shielded, integrated delta bridge, ISO23570-3 model 2 pin, ISO23570-3 model 1 socket,	angled/straight	Für Ltg ((4x1+2x(2x0,75))mm ² (0,75 kW/ 1,5 kW)
M		70015901xxxxxx			((4x2,5+2x(2x0,75))mm ² (3,0 kW/ 4 kW)
M		70016901xxxxxx			((4x4+2x(2x1))mm ² (5,5 kW/ 7,5 kW)
M		10019700	Motor plug set fc, ISO23570-3 model 1 (11 pol) socket, integrated star bridge	straight	Für Ltg ((4x1+2x(2x0,75))mm ² (0,75 kW/ 1,5 kW)
M		10019720			Für Ltg ((4x2,5+2x(2x0,75))mm ² (3,0 kW/ 4 kW)
M		10019730			Für Ltg:((4x4+2x(2x1))mm ² (5,5 kW/ 7,5 kW)
M		10031900	Motor plug set fc, straight socket ISO23570-3 (11 pol) integrated delta bridge Power contacts: insulation-piercing Control contacts: crimp plug	straight	Für Ltg ((4x1+2x(2x0,75))mm ² (0,75 kW/ 1,5 kW) und Für Ltg ((4x2,5+2x(2x0,75))mm ² (3,0 kW/ 4 kW)
M		10031910			Für Ltg:((4x4+2x(2x1))mm ² (5,5 kW/ 7,5 kW)
M		10035100			
M	10031800	Motor plug cable, shielded	By the meter	((4x1+2x(2x0,75))mm ² (0,75 kW/ 1,5 kW)	
M	10032900			((4x2,5+2x(2x0,75))mm ² (3,0 kW/ 4 kW) ((4x4+2x(2x1))mm ² (5,5 kW/ 7,5 kW)	
W	Tools	30020500	Crimping tool for cross-sections from 1,5mm ² to 6mm ²		
W		30020600	Removal tool for power bus plugs for cross-sections from 1,5mm ² to 6mm ²		
W		30020700	Removal tool for motor plug, cross-sections from 1,0 mm ² to 4,0 mm ²		

Product key for the cable length of cord sets: 7xxxxxx00XXXX

m cm