



SINAMICS G120D Supplementary products (compact)



Connection method complete from one hand

On the following pages we offer You a broad spectrum
of connection methods for all interfaces of the G120D.

We provide You with every desired cable length from one piece.

Modifications and special solutions we deliver You on request.

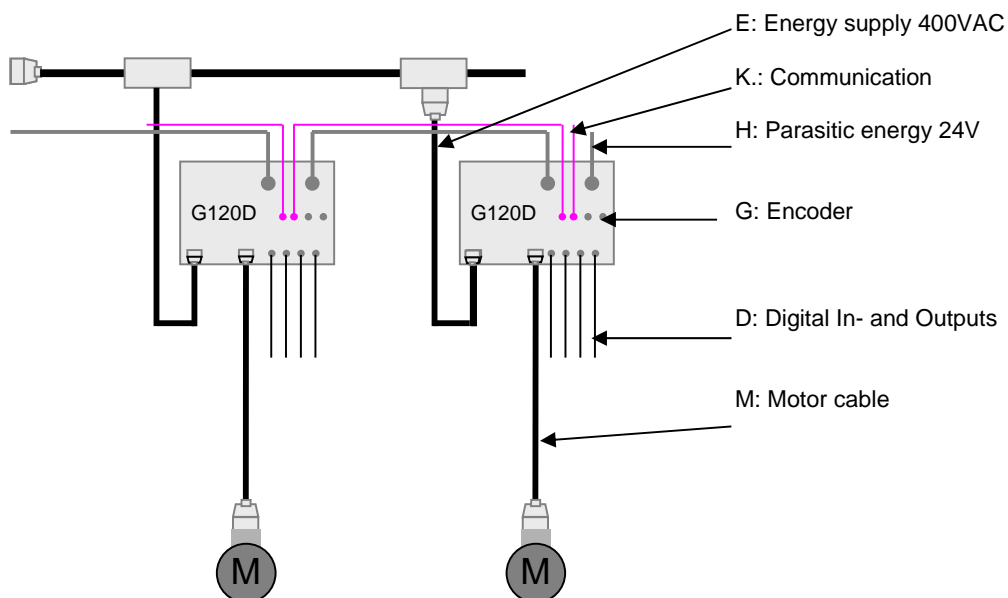
You find further products, for example like test equipment in the Internet.

www.knorrtec.de

<http://knorrtec.es-shops.de/>

You find detailed technical information in our catalog:

Gg120Dd_supplementary_products_knorrtec_02_2008.pdf



Supplementary products for
Frequency converter Siemens G120D



„X“	Interface	Purchase order number	Description	Cable outlet	Assembling	
K	Profibus In	70019500xxxxxx	Onesided cord set, socket M12 B	straight	2x0,34 mm² flexibly, PVC	
K		70020101xxxxxx	Onesided cord set, socket M12 B with integrated termination network	straight		
K		70018800xxxxxx	Onesided cord set, socket M12 B	angled		
K		30007210	Socket plug M12 B	angled		
K		30007200		straight		
K	Profibus out/in	70017610xxxxxx	Double-sided cord set, socket/pin M12 B	straight	2x0,34 mm² flexibly, PVC	
K		70018700xxxxxx		angled		
K		70019600xxxxxx	Double-sided cord set, D-Sub w. PG – M12 B	angled		
K	Profibus out	30007100	Male connector M12 B	straight		
K		30007110		angled		
K	Profinet	70019900xxxxxx	Onesided cord set, pin M12 D	straight	4xAWG22 flexibly ,PVC (model B)	
K		70021300xxxxxx		angled		
K		70020000xxxxxx	Double-sided cord set pin M12 D	straight		
K		70021400xxxxxx		angled		
K		70020700xxxxxx	Double-sided cord set RJ45 IP20 - pin M12 D	straight		
K		30026400	Male connector M12 D	straight		insulation-piercing connectors
K		30026401		straight		Screw plug
K		30026410		angled		
H	24V in	70017800xxxxxx	Onesided cord set socket 7/8“	straight	5x1,5 mm² PVC grey	
H		70017820xxxxxx		angled	5x1,5 mm² PUR grey	
H		70018400xxxxxx		angled	5x1,5 mm² PVC grey	
H		70018410xxxxxx		angled	5x1,5 mm² PUR grey	
H		30023600	Cable box 7/8“	straight		
H		30023610		angled		
H	24V out/in	70019300xxxxxx	Double-sided cord set socket/pin 7/8“	straight	5x1,5 mm² PVC grey	
H		70017700xxxxxx		angled		
H	24V out	30023500	Cable plug 7/8“	straight		
H		30023510		angled		
D	E/A	70023000xxxxxx	Onesided cord set pin M12 A	straight	5x0,25 mm²; PVC grey	
D		70023400xxxxxx		angled		
D		70018300xxxxxx		angled		5x0,25 mm² PUR black
D		70020300xxxxxx	Double-sided cord set pin/ socket	angled	5x0,25 mm² PUR black	
		70022900xxxxxx	Double-sided cord set angled pins/ straight socket	angled / straight	5x0,25 mm²; PVC grey	
D		30023700	Cable plug M12 A	straight		
D		30023710		angled		
D		30065800	T-piece M12 for the connection of two analog entrances	straight		
A	Analog	10050500	Y- cable Fort he connection of two analog-entrances M12 pin 8-core to 2x M12 socket 4-core	straight		

Supplementary products for
Frequency converter Siemens G120D



A		10052400	T-distributor For the connection of two analog-entrances M12 pin 8-core to 2x M12 socket 4-core	angled	
A		70039500xxxxxx	Onesided pre-assembled cable M12 A 8-core pin	straight	4x 0,25mm ² PVC grey
A		70040400xxxxxx	Onesided pre-assembled cabel M12 A 8-core pin	angeld	4x 0,25mm ² PVC grey
A		70041900xxxxxx	Connecting cable for analog-interface, onesided pre-assembled , M12 A 8-core pin	angeld	2x2x 0,25 mm ² ; PUR, trailing capability ; shielded
A		70042800xxxxxx	Connecting cable for analog-interface, onesided pre-assembled , plug-connection M12	straight	2x2x 0,25 mm ² ; PUR, trailing capability ; shielded For G20D
A		70045100xxxxxx	Connecting cable for analog-interface, onesided pre-assembled , plug-conection M12	straight	3x2x 0,25 mm ² ; PUR, , trailing capability ; shielded For G110M
A		70045200xxxxxx	Connecting cable for analog-interface, onesided pre-assembled , plug- connection M12	straight	3x2x 0,25 mm ² ; PVC, grey; not shielded For G110M
A		3007850	8-core Pin connector M12 unshielded	straight	
A		30078510	8-core Pin connector M12 unshielded	angled	

Product key for the cable length of cord sets: 7xxxxxx00XXXX
m cm

„X“	Interface	Purchase order number	Description	Cable outlet	Assembling
G	Encoder	70021800xxxxxx	Encoder cord set M12 8-core pin onesided, trailing capability, for HTL and SSI-encoder	straight	4x2xAWG24 shielded; PUR grey; trailing capability
G		70020900xxxxxx	Encoder cord set M12 8-core pin/ M23 12-core socket for HTL encoder	straight / straight	4x2xAWG24 shielded; PUR grey; trailing capability
G		70045500xxxxxx	Ecoder cord set M12 8-core pin / M23 12-core socket 20° for HTL-encoder	straight / straight	4x2xAWG24 geschirmt, PUR gey trailing capability e. g.: Lenze „Hiperface“
G		70045700xxxxxx	Encoder cord set D-Sub 15 pol / M23 Buchse 12 pol 0°	straight / straight	3x2xAWG24 PUR shielded; grey ; trailing capability
G		70032500xxxxxx	Encoder cord set M12 8-core pin/ M23 17-core socket for SSI-encoder	straight/ straight	4x2xAWG24 shielded; PUR grey; trailing capability

Supplementary products for
Frequency converter Siemens G120D



G		70032800xxxxxx	Encoder cord set M12 8-core pin/ M12 8-core socket for SSI-encoder	straight/ straight	4x2xAWG24 shielded; PUR grey; trailing capability
G		70023800xxxxxx	Encoder cord set M12 8-core pin, angled M23 12-core socket, straight for HTL-encoder	angled / straight	4x2xAWG24 shielded; PUR grey; trailing capability
G		70032300xxxxxx	Encoder cord set M12 8-core pin angled M23 17-core socket straight for SSI-encoder	angled / straight	4x2xAWG24 shielded; PUR grey trailing capability
G		70033700xxxxxx	Extension for combi-rotary encoder onesided pre-assembled, M23 17-core pin / M23 17-core socket	straight/ straight	6x2x0,25mm ² PUR grey; non- halogen
G		70033800xxxxxx	Encoder cord set M12 male 8 pin M23 female 12 pol 0° For SSI-encoder	straight / straight	4x2xAWG24 PUR shielded; grey; trailing capability
G		70040200xxxxxx	Encoder onesided pre- assembled, M12 pin 8-core For HTL and SSI-encoder	angled	4x2xAWG24 PUR shielded; grey; trailing cable
G		70040300xxxxxx	Encoder onesided pre- assembled M23 pin 17-core	straight	6x2x0,25mm ² PUR grey
G		70041000xxxxxx	Conecting cable for combi-encoder 2x M12 pin 8-core / M23 17- core (P) socket	angled/ straight	
G		70041500xxxxxx	Extension for rotary encoder M23 P 12- core pin inside case with fixing flansch M25 / M23 E 12-core socket	straight/ straight	6x2x0,25mm ² PUR grey
G		10051900	Conecting adapter for combi encoder 2x M12 8-core pin / M23 17-core (P) socket	angled / straight	non-halogen
G		10055800	Conecting adapter M23 17- core P 0° 12 part crimp pin	straight	
G		30027600	8-core cable plug M12	straight	Shielded
G		30037200	8-core cable plug M12	angled	shielded
E	Power distribution	100353xx	Powerbox Weidmüller	Clamp or plug	Article code for cable combination (seals see UPD100353xx)
E		100187xx	Power S Harting	plug	Bus 5 x 2,5 - 6mm ² branch 5 x 2,5 - 6mm ² (seals see UPD100187xx)
E	Power in	70013700xxxxxx	Power bus cable	angled	4 x 2,5 mm ²
E		70013800xxxxxx	Onesided cord set		4 x 4 mm ²
E		70013200xxxxxx	Socket ISO23570-3	4x 6 mm ²	
E		70017300xxxxxx	Power bus cable	angled	4 x 2,5 mm ²
E		70019100xxxxxx	Double-sided cord set PTS4 - socket ISO23570-3	angled	4 x 4 mm ²
E		70008800xxxxxx	Power bus cable	straight / angled	4 x 2,5 mm ²

Supplementary products for
Frequency converter Siemens G120D



E		70008900xxxxxx	Double-sided cord set		4 x 4 mm ²
E		70013600xxxxxx	Straight pin, - angled socket ISO23570-3		4x 6 mm ²
E		10031010	Power bus plug	angled	4 x 2,5 mm ²
E		10018110	ISO23570-3 socket plastic housing		4 x 4 mm ²
E		10018210			4 x 6 mm ²
E	Power breakout	10030910	Power bus plug	straight	4 x 2,5 mm ²
E		10017710	ISO23570-3 pins		4 x 4 mm ²
E		10017810	Plastic housing		4 x 6 mm ²
E	Power	10029400	Power bus cable	By the meter	4 x 2,5 mm ²
E		10029500			4 x 4 mm ²
E		10029600			4 x 6 mm ²
E		10036710	CONLOC plug housing ISO 23570-3 model 2 lockable (for 4/2 pol pin)		

Product key for the cable length of cord sets: 7xxxxxx00XXXX m cm

„X“	Interface	Purchase order number	Description	Cable outlet	Assembling
M	Motor out	70018601xxxxxx	Onesided cord set 9-pol pins, angled ISO23570-3	Angled	((4x1+2x(2x0,75))mm ² (0,75 kW/ 1,5 kW)
M		70009601xxxxxx			((4x2,5+2x(2x0,75))mm ² (3,0 k'W/ 4 kW)
M		70017001xxxxxx			((4x4+2x(2x1))mm ² (5,5 kW/ 7,5 kW)
M		10032031	Motor feeder plug set 9-pol pins, angled ISO23570-3	Angled	For cable: ((4x1+2x(2x0,75))mm ² (0,75 kW/ 1,5 kW)
M		10032001			For cable: ((4x1,5+2x(2x0,75))mm ² (0,75 kW/ 1,5 kW)
M		10032011			For cable: ((4x2,5+2x(2x0,75))mm ² (3,0 k'W/ 4 kW)
M		10032021			For cable:((4x4+2x(2x1))mm ² (5,5 kW/ 7,5 kW)
M		10036700	CONLOC plug housing ISO 23570-3 Typ 2 lockable (for 9-pol sockets)		
M	Motor	70018501xxxxxx	Motor cable fc shielded, integrated star bridge, ISO23570-3 model 2 pin, ISO23570-3 model 1 socket,	angled / straight	((4x1+2x(2x0,75))mm ² (0,75 kW/ 1,5 kW)
M		70012301xxxxxx			((4x2,5+2x(2x0,75))mm ² (3,0 kW/ 4 kW)
M		70016801xxxxxx			((4x4+2x(2x1))mm ² (5,5 kW/ 7,5 kW)
M			70021501xxxxxx	angled / straight	For cabl. ((4x1+2x(2x0,75))mm ² (0,75 kW/ 1,5 kW)
M			70015901xxxxxx		((4x2,5+2x(2x0,75))mm ² (3,0 kW/ 4 kW)
M			70016901xxxxxx		((4x4+2x(2x1))mm ² (5,5 kW/ 7,5 kW)
M			10019700		Straight

Supplementary products for
Frequency converter Siemens G120D



M		10019720	socket, integrated star bridge		For cable: ((4x2,5+2x(2x0,75)))mm ² (3,0 kW/ 4 kW)
M		10019730			For cable: ((4x4+2x(2x1)))mm ² (5,5 kW/ 7,5 kW)
M		10031900	Motor plug set fc, straight socket ISO23570-3 (11-pol) integrated delta bridge Power contact insulation-piercing connectors Control contacts: crimp plug	Straight	For cable ((4x1+2x(2x0,75)))mm ² (0,75 kW/ 1,5 kW) und For cable: ((4x2,5+2x(2x0,75)))mm ² (3,0 kW/ 4 kW)
M		10031910			For Cable: ((4x4+2x(2x1)))mm ² (5,5 kW/ 7,5 kW)
M		10035100			((4x1+2x(2x0,75)))mm ² (0,75 kW/ 1,5 kW)
M		10031800	Motor plug cable, shielded	By the meter	((4x2,5+2x(2x0,75)))mm ² (3,0 kW/ 4 kW)
M		10032900			((4x4+2x(2x1)))mm ² (5,5 kW/ 7,5 kW)

Product key for the cable length of cord sets: 7xxxxxx00XXXX m cm

„X“	Interface	Purchase order number	Description	Cable outlet	Assembling
W	Tools	30020500	Crimping tool for cross-sections from 1,5mm ² to 6mm ²		
W		30020600	Removal tool for power bus plugs for cross-sections from 1,5mm ² to 6mm ²		
W		30020700	Removal tool for motor plug, cross- sections from 1,0 mm ² to 4,0 mm ²		

Product key for the cable length of cord sets: 7xxxxxx00XXXX m cm