

ET 200pro

Supplementary products





Table of contents

1	POWER CONNECTION	4
1.1	POWER BRANCHES	4
1.1.1	<i>T-terminal connector</i>	4
1.1.2	<i>Powerbox</i>	5
1.2	POWER BUS CABLES (BY THE METER)	6
1.2.1	<i>Power bus cables (by the meter) 2.5mm²</i>	6
1.2.2	<i>Power bus cables (by the meter) 4 mm²</i>	6
1.2.3	<i>Power bus cables (by the meter) 6 mm²</i>	6
2	POWER CABLE	7
2.1	POWER SUPPLY CABLES FOR CONVERTED MOTOR STARTERS (MS)	7
2.1.1	<i>Cross-section 2.5 mm²</i>	7
2.1.2	<i>Cross-section 4mm²</i>	8
2.1.3	<i>Cross-section 6mm²</i>	8
2.2	POWER SUPPLY CABLES FOR MOTOR STARTER (MS), ONE-SIDED CONVERTED	9
2.2.1	<i>Cross-section 2,5mm²</i>	9
2.2.2	<i>Cross-section 4mm²</i>	10
2.2.3	<i>Cross-section 6mm²</i>	10
2.3	POWER SUPPLY CABLES FOR REPAIR SWITCH MODULE (RSM) CONVERTED	11
2.3.1	<i>Cross-section 2,5mm²</i>	11
2.3.2	<i>Cross-section 4mm²</i>	12
2.3.3	<i>Cross-section 6mm²</i>	12
2.4	POWER SUPPLY CABLES FOR REPAIR SWITCH MODULE (RSM), ONE-SIDED CONVERTED	13
2.4.1	<i>Cross-section 2,5mm²</i>	13
2.4.2	<i>Cross-section 4mm²</i>	14
2.4.3	<i>Cross-section 6mm²</i>	14
2.5	POWER SUPPLY CABLES (BY THE METER) 2,5MM ²	15
2.6	POWER SUPPLY CABLES (BY THE METER) 4MM ²	15
2.7	POWER SUPPLY CABLES (BY THE METER) 6MM ²	15
2.8	PLUG SETS FOR POWER BUS CONNECTION TO CONTROL ENCLOSURE / SUBDISTRIBUTION BOARD 16	
2.9	PLUG SETS FOR POWER SUPPLY CABLES	18
2.10	POWER TRANSMISSION FROM REPAIR SWITCH MODULE (RSM)/ MOTOR STARTER (MS) TO CONVERTED MOTOR STARTER (MS)	19
2.10.1	<i>Cross-section 2,5mm²</i>	19
2.10.2	<i>Cross-section 4mm²</i>	19
2.10.3	<i>Cross-section 6mm²</i>	20
2.11	POWER TRANSMISSION FROM MOTOR STARTER (MS) TO CONVERTED REPAIR SWITCH MODULE (RSM) 21	
2.11.1	<i>Cross-section 2,5mm²</i>	21
2.11.2	<i>Cross-section 4mm²</i>	22
2.11.3	<i>Cross-section 6mm²</i>	22
2.12	PLUG SET FOR POWER TRANSMISSION.....	23
3	MOTOR CONNECTION	24
3.1	MOTOR CABLE FOR MOTORS IN STAR CONNECTION, WITHOUT BRAKES, CONVERTED.....	24
3.1.1	<i>Cross-section 1,5mm²</i>	24
3.1.2	<i>Cross-section 2,5mm²</i>	24
3.2	MOTOR CABLE FOR MOTORS IN STAR CONNECTION, WITH OR WITHOUT A BRAKE, ONE-SIDED CONVERTED	25
3.2.1	<i>Without brake</i>	25

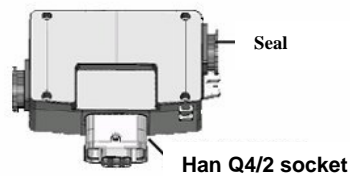


3.2.2	<i>With brake</i>	26
3.3	MOTOR CABLE FOR MOTORS IN STAR CONNECTION WITH RATHER WITHOUT SUPPRESSOR FOR THE BRAKE, CONVERTED.....	27
3.3.1	<i>Without suppressor</i>	27
3.3.2	<i>With Suppressor</i>	28
3.4	MOTOR CABLE 1,5MM ² BY THE METER	29
3.5	MOTOR CABLE 2,5MM ² BY THE METER	29
3.6	PLUG SET FOR MOTOR CONNECTION CABLE TO THE MOTOR SIDE (MS)	30
3.7	PLUG SETS FOR MOTOR CONNECTION CABLE TO THE MOTOR SIDE	31
3.7.1	<i>Without Suppressor</i>	31
3.7.2	<i>Mit Schutzbeschaltung</i>	31
4	ACCESSORIES	32
4.1	SEALING CAPS	32
4.2	PLUG SETS FOR POWER BUS TO CONNECT CONTROL ENCLOSURE	32
4.3	CRIMPING TOOL	32
4.4	REMOVAL TOOLS FOR PINS AND SOCKETS	33
4.5	TEST ADAPTERS	33
5	SPECIFICATION	34
5.1	GENERAL REQUIREMENTS.....	34
5.1.1	<i>General requirements for cables</i>	34
5.1.2	<i>Mechanical requirements</i>	34
5.1.3	<i>Electrical requirements</i>	34
5.1.4	<i>General requirements for plug connectors</i>	34
5.1.5	<i>Plug connections of converted cables</i>	35
5.1.6	<i>Power cables</i>	39
5.1.7	<i>Technical datas for T-distributors</i>	39
5.1.8	<i>Pack units</i>	39
5.2	STANDARDS AND REGULATIONS	40
5.2.1	<i>Cables</i>	40
5.2.2	<i>Plug connectors</i>	40
6	SOLUTION PARTNER SERVICES	40
6.1	BESPOKE PRODUCTS	40
6.2	PRE SALES AND AFTER SALES-SERVICE	40

1 Power connection

1.1 Power branches

1.1.1 T-terminal connector



Purchase order number	Description	RRP €
ZKT:10018700	Power T-termination connector for Power bus cable from 2,5mm ² to 6mm ² Mounted 7-pol plug connector, socket insert and grommet housing contour	
ZKT:10021000	Seal for 10 – 13 mm cable 1 set = 2 seals	
ZKT:10021100	Seal for 13 – 16 mm cable 1 set = 2 seals	
ZKT:10021200	Seal for 16 – 19 mm cable 1 set = 2 seals	
ZKT:10021300	Seal for 19 – 22 mm cable 1 set = 2 seals	
ZKT:10021400	Blind stopper seal 1 seal	

1.1.2 Powerbox



Purchase order number	Description				RRP €
	PowerBox, contact unit for uncut power cables, housing IP65, complete with seals				
	Power bus	Round cable	Branch	Round cable	
ZKT:10035300	5 x 4 mm ² 4 x 6 mm ² 5 x 6 mm ²	D = 15 to 17 mm	5 x 4 mm ² 4 x 6 mm ² 5 x 6 mm ²	D = 15 to 17 mm	
ZKT:10035310	5 x 4 mm ² 4 x 4 mm ²	D = 13 to 15 mm	5 x 4 mm ² 4 x 4 mm ²	D = 13 to 15 mm	
ZKT:10035320	5 x 4 mm ²	D = 15 to 17 mm	5 x 2.5 mm ² 4 x 2.5 mm ²	D = 11 to 13 mm	
ZKT:10035330	5 x 4 mm ² 4 x 6 mm ² 5 x 6 mm ²	D = 15 to 17 mm	4 x 4 mm ²	D = 13 to 15 mm	
ZKT:10035340	5 x 4 mm ² 4 x 4 mm ²	D = 13 to 15 mm	5 x 2.5 mm ² 4 x 2.5 mm ²	D = 11 to 13 mm	
ZKT:10035350	5 x 2.5 mm ² 4 x 2.5 mm ²	D = 11 to 13 mm	5 x 2.5 mm ² 4 x 2.5 mm ²	D = 11 to 13 mm	
	Power bus	Ribbon cable	Branch	Round cable	
ZKT:10035360	5 x 6 mm ²	7.5 x 26.5 mm	5 x 4 mm ² 4 x 6 mm ² 5 x 6 mm ²	D = 15 to 17 mm	
ZKT:10035370	5 x 6 mm ²	7.5 x 26.5 mm	5 x 4 mm ² 4 x 4 mm ²	D = 13 to 15 mm	

The prices quoted are based on a copper price of €150/100 kg and are exclusive of the material supplement and VAT. The supplement is calculated on the basis of the DEL prices on the date on which the order is received plus 1% procurement costs.

KnorrTec; Kapellenbergstraße 34; D-93176 Beratzhausen;
Tel +49 94 93/ 9 51 96 90; www.knorrtec.de

Issue
02/2008
page 5

Solution Partner

Automation

SIEMENS



1.2 Power bus cables (by the meter)

1.2.1 Power bus cables (by the meter) 2.5mm²

Purchase order number	Description	RRP €
ZKT:10029120	Power bus cable 5x2.5 mm² Sheath diameter 12.4 mm Length 50 m	
ZKT:10029130	Length 100 m	
ZKT:10029100	Length > 100 m	

1.2.2 Power bus cables (by the meter) 4 mm²

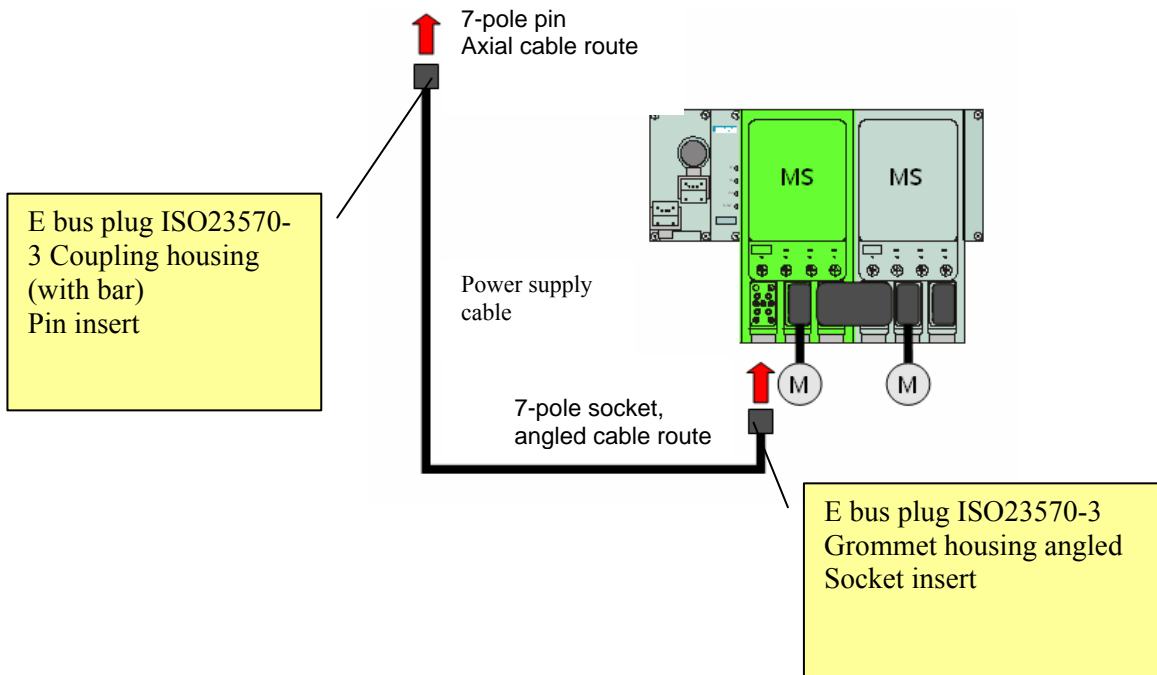
Purchase order number	Description	RRP €
ZKT:10029220	Power bus cable 5x4 mm² Sheath diameter 15.3 mm Length 50 m	
ZKT:10029230	Length 100 m	
ZKT:10029200	Length > 100 m	

1.2.3 Power bus cables (by the meter) 6 mm²

Purchase order number	Description	RRP €
ZKT:10029320	Power bus cable 5x6 mm² Sheath diameter 17.3 mm Length 50 m	
ZKT:10029330	Length 100 m	
ZKT:10029300	Length > 100 m	

2 Power cable

2.1 Power supply cables for converted Motor starters (MS)



2.1.1 Cross-section 2.5 mm²

Purchase order number	Description	RRP €
ZKT:70008800000150	Power supply Cables MS for ET 200pro, ECOFAST, G120D E bus plug ISO23570-3 straight – E bus plug ISO23570-3 angled 4x2,5mm ² Length 1,5m	
ZKT:70008800000300	Length 3m	
ZKT:70008800000500	Length 5m	
ZKT:70008800001000	Length 10m	



2.1.2 Cross-section 4mm²

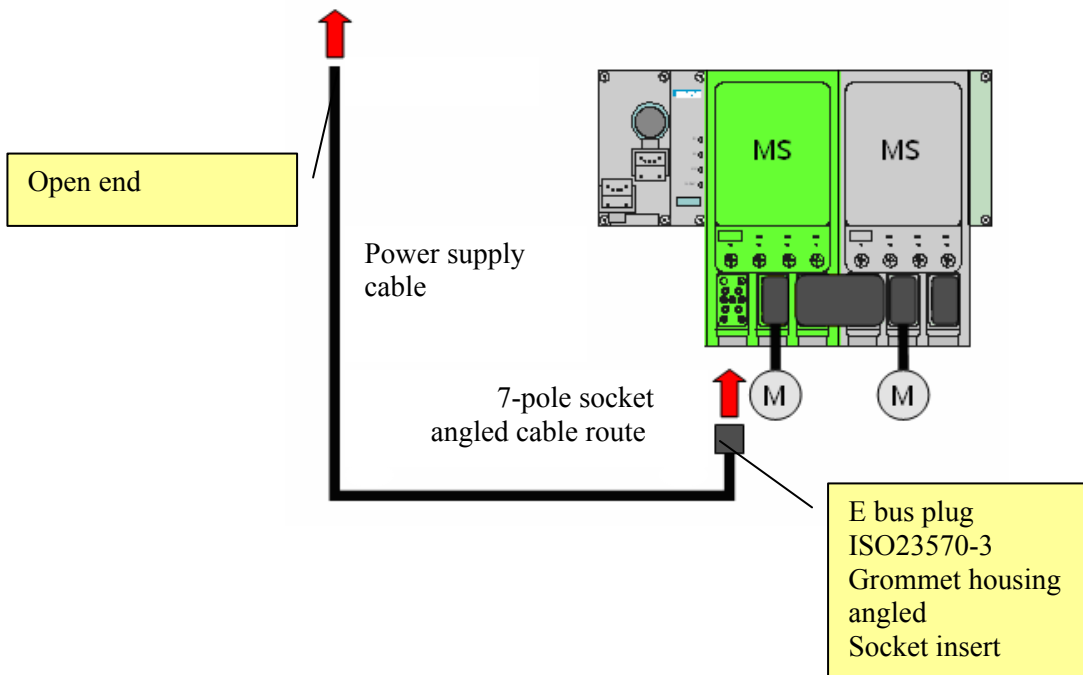
Purchase order number	Description	RRP €
ZKT:70008900000150	Power supply cables MS for ET 200pro, ECOFAST, G120D E bus plug ISO23570-3 straight— E bus plug ISO23570-3 angled 4x4mm ² Length 1,5m	
ZKT:70008900000300	Length 3m	
ZKT:70008900000500	Length 5m	
ZKT:70008900001000	Length 10m	

2.1.3 Cross-section 6mm²

Purchase order number	Description	RRP €
ZKT:70013600000150	Power supply cables MS for ET 200pro, ECOFAST, G120D E bus plug ISO23570-3 straight – E bus plug ISO23570-3 angled 4x6mm ² Length 1,5m	
ZKT:70013600000300	Length 3m	
ZKT:70013600000500	Length 5m	
ZKT:70013600001000	Length 10m	

The prices quoted are based on a copper price of €150/100 kg and are exclusive of the material supplement and VAT. The supplement is calculated on the basis of the DEL prices on the date on which the order is received plus 1% procurement costs.

2.2 Power supply cables for Motor starter (MS), one-sided converted



2.2.1 Cross-section 2,5mm²

Purchase order number	Description	RRP €
ZKT:70013700000150	Power supply cables MS for ET 200pro, ECOFAST, G120D open – E bus plug ISO23570-3 angled 4x2,5mm ² Length 1,5m	
ZKT:70013700000300	Length 3m	
ZKT:70013700000500	Length 5m	
ZKT:70013700001000	Length 10m	



2.2.2 Cross-section 4mm²

Purchase order number	Description	RRP €
ZKT:70013800000150	Power supply cables MS for ET 200pro, ECOFAST, G120D open – E bus plug ISO23570-3 angled 4x4mm ² Length 1,5m	
ZKT:70013800000300	Length 3m	
ZKT:70013800000500	Length 5m	
ZKT:70013800001000	Length 10m	

2.2.3 Cross-section 6mm²

Purchase order number	Description	RRP €
ZKT:70013200000150	Power supply cables MS for ET 200pro, ECOFAST, G12D open – E bus plug ISO23570-3 angled 4x6mm ² Length 1,5m	
ZKT:70013200000300	Length 3m	
ZKT:70013200000500	Length 5m	
ZKT:70013200001000	Length 10m	

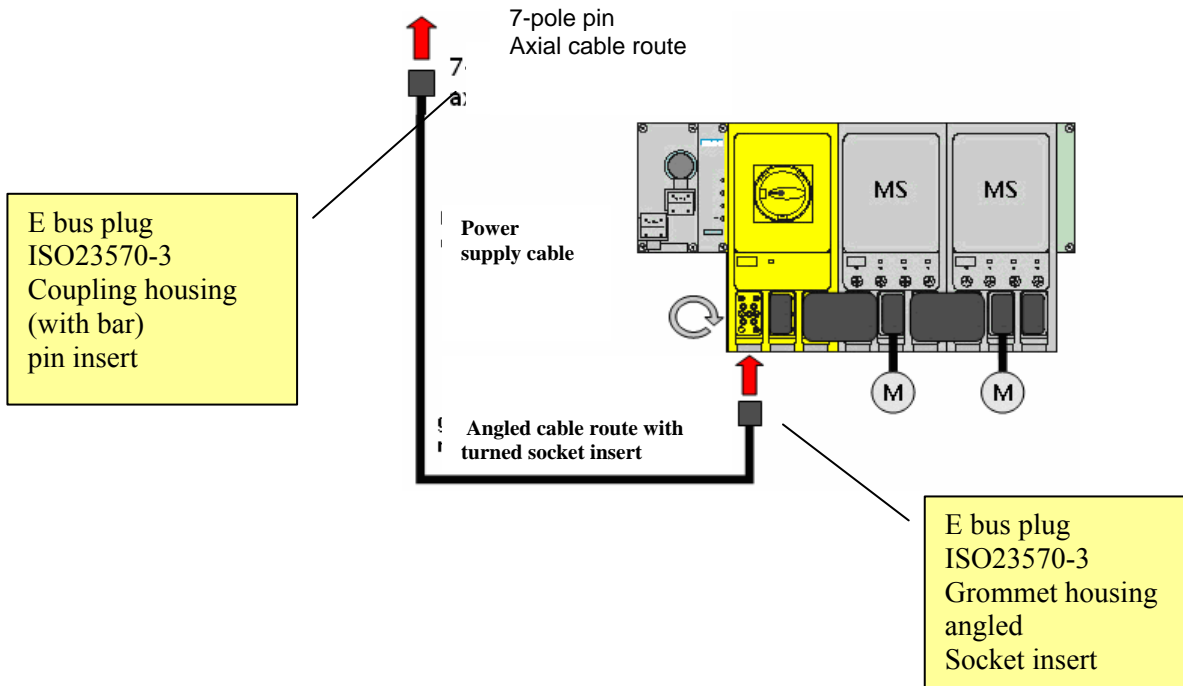
The prices quoted are based on a copper price of €150/100 kg and are exclusive of the material supplement and VAT. The supplement is calculated on the basis of the DEL prices on the date on which the order is received plus 1% procurement costs.

KnorrTec; Kapellenbergstraße 34; D-93176 Beratzhausen;
 Tel +49 94 93/ 9 51 96 90; www.knorrtec.de

Issue
 02/2008
 page 10

Solution Partner	SIEMENS
Automation	

2.3 Power supply cables for repair switch module (RSM) converted



2.3.1 Cross-section 2,5mm²

Purchase order number	Description	RRP €
ZKT:70013900000150	Power supply cables RSM for ET 200pro E-BUS-STECKER ISO23570-3 straight – E-BUS-STECKER ISO23570-3 angled RSM side insert, turned 4x2,5mm ² Length 1,5m	
ZKT:70013900000300	Length 3m	
ZKT:70013900000500	Length 5m	
ZKT:70013900001000	Length 10m	



2.3.2 Cross-section 4mm²

Purchase order number	Description	RRP €
ZKT:70014000000150	Power supply cables RSM for ET 200pro E bus plug ISO23570-3 straight – E bus plug ISO23570-3 angled RSM side insert, turned 4x4mm ² Length 1,5m	
ZKT:70014000000300	Length 3m	
ZKT:70014000000500	Length 5m	
ZKT:70014000001000	Length 10m	

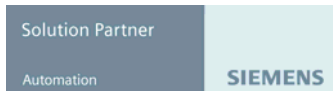
2.3.3 Cross-section 6mm²

Purchase order number	Description	RRP €
ZKT:70014500000150	Power supply cables RSM for ET 200pro E bus plug ISO23570-3 straight – E bus plug ISO23570-3 angled RSM side insert, turned 4x6mm ² Length 1,5m	
ZKT:70014500000300	Length 3m	
ZKT:70014500000500	Length 5m	
ZKT:70014500001000	Length 10m	

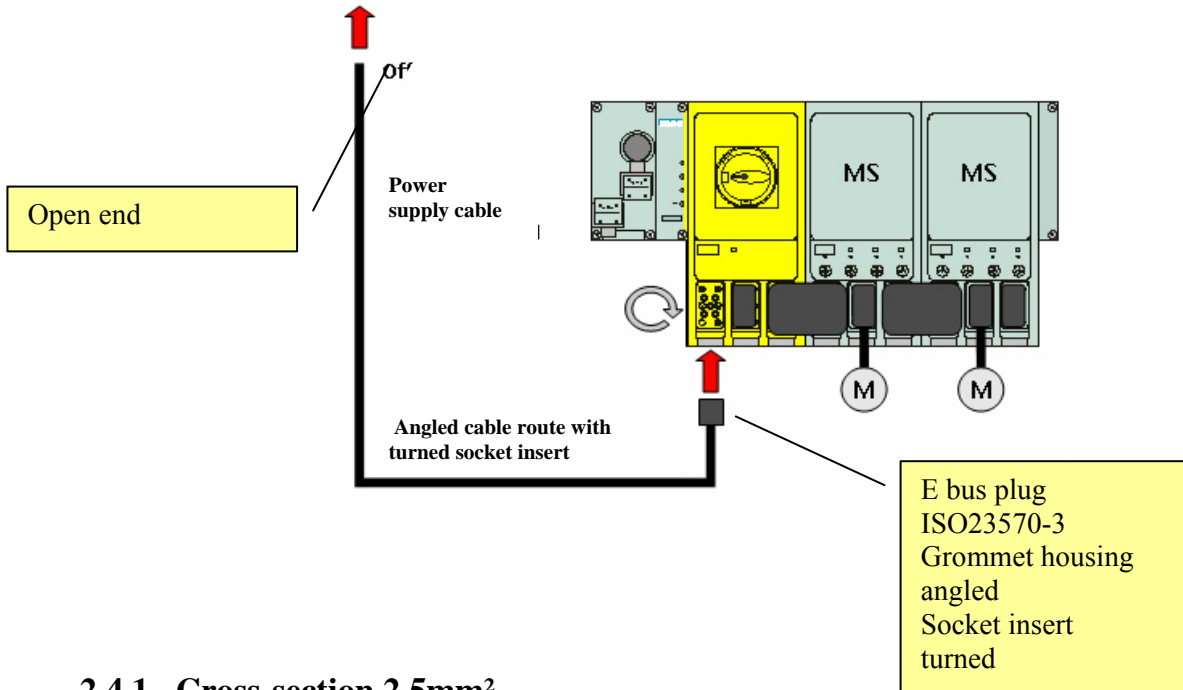
The prices quoted are based on a copper price of €150/100 kg and are exclusive of the material supplement and VAT. The supplement is calculated on the basis of the DEL prices on the date on which the order is received plus 1% procurement costs.

KnorrTec; Kapellenbergstraße 34; D-93176 Beratzhausen;
 Tel +49 94 93/ 9 51 96 90; www.knorrtec.de

Issue
 02/2008
 page 12



2.4 Power supply cables for repair switch module (RSM), one-sided converted



2.4.1 Cross-section 2,5mm²

Purchase order number	Description	RRP €
ZKT:70014100000150	Power supply cables RSM for ET 200pro open – E bus plug ISO23570-3 angled RSM side insert, turned 4x2,5mm ² Length 1,5m	
ZKT:70014100000300	Length 3m	
ZKT:70014100000500	Length 5m	
ZKT:70014100001000	Length 10m	



2.4.2 Cross-section 4mm²

Purchase order number	Description	RRP €
ZKT:70014200000150	Power supply cables RSM for ET 200pro open – E bus plug ISO23570-3 angled RSM side insert, turned 4x4mm ² Length 1,5m	
ZKT:70014200000300	Length 3m	
ZKT:70014200000500	Length 5m	
ZKT:70014200001000	Length 10m	

2.4.3 Cross-section 6mm²

Purchase order number	Description	RRP €
ZKT:70012900000150	Power supply cables RSM for ET 200pro open – E bus plug ISO23570-3 angled RSM side insert, turned 4x6mm ² Length 1,5m	
ZKT:70012900000300	Length 3m	
ZKT:70012900000500	Length 5m	
ZKT:70012900001000	Length 10m	

2.5 Power supply cables (by the meter) 2,5mm²

Purchase order number	Description	RRP €
ZKT:10029420	Power supply cables 4x2,5mm² Length 50m (D =11,1 mm)	
ZKT:10029430	Length 100m	
ZKT:10029400	Length >100m	

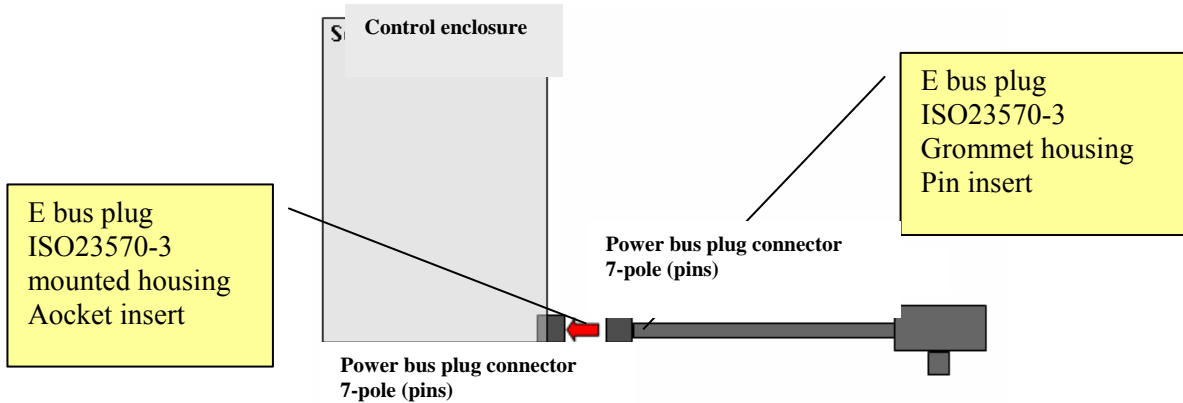
2.6 Power supply cables (by the meter) 4mm²

Purchase order number	Description	RRP €
ZKT:10029520	Power supply cables 4x4mm² Length 50m (D =13,8 mm)	
ZKT:10029530	Length 100m	
ZKT:10029500	Length >100m	

2.7 Power supply cables (by the meter) 6mm²

Purchase order number	Description	RRP €
ZKT:10029620	Power supply cables 4x6mm² Length 50m (D =15,6 mm)	
ZKT:10029630	Length 100m	
ZKT:10029600	Length >100m	

2.8 Plug sets for power bus connection to Control enclosure / subdistribution board



Purchase order number	Description	RRP €
	Mounted housing for power supply cables e.g. for installation on housing consisting of mounted housing (with bar) socket insert for E bus plug ISO23570-3	
ZKT:10019020	5 contact sockets 2,5mm ²	
ZKT:10019030	4 contact sockets 2,5mm ²	
ZKT:10019010	5 contact sockets 4mm ²	
ZKT:10019040	4 contact sockets 4mm ²	
ZKT:10019000	5 contact sockets 6mm ²	
ZKT:10019050	4 contact sockets 6mm ²	
	Plug set for power supply e.g. Connection to the control enclosure, selective component Grommet housing, straight outlet Pin insert for E bus plug ISO23570-3 Screwing for cable cross-section 10 – 18 mm	
ZKT:10032200	5 contact pins 2,5mm ²	
ZKT:10032210	4 contact pins 2,5mm ²	
ZKT:10017300	5 contact pins 4mm ²	
ZKT:10017310	4 contact pins 4mm ²	
ZKT:10017400	5 contact pins 6mm ²	
ZKT:10017410	4 contact pins 6mm ²	



Purchase order number	Description	RRP €
	Plug set for power supply e.g. for connection to the control enclosure, selective component Grommet housing, angled outlet Pin insert for E bus plug ISO23570-3 Screwing for Cable cross-section	
ZKT:10031100	5 contact pins 2,5mm² from 7 to 14 mm	
ZKT:10031110	4 contact pins 2,5mm² from 7 to 14 mm	
ZKT:10017500	5 contact pins 4mm² from 11,5 to 15,5 mm	
ZKT:10017510	4 contact pins 4mm² from 7 to 14 mm	
ZKT:10017600	5 contact pins 6mm² from 11,5 to 15,5 mm	
ZKT:10017610	4 contact pins 6mm² from 11,5 to 15,5 mm	

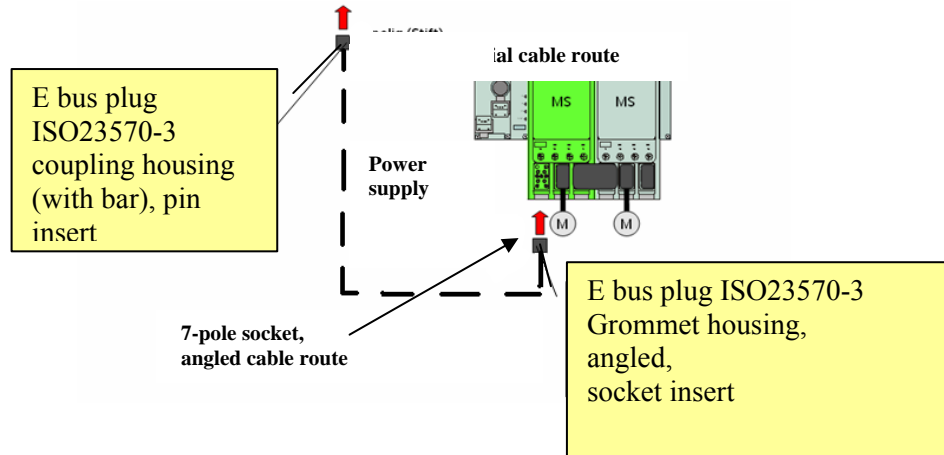
The prices quoted are based on a copper price of €150/100 kg and are exclusive of the material supplement and VAT. The supplement is calculated on the basis of the DEL prices on the date on which the order is received plus 1% procurement costs.

KnorrTec; Kapellenbergstraße 34; D-93176 Beratzhausen;
 Tel +49 94 93/ 9 51 96 90; www.knorrtec.de

Issue
 02/2008
 page 17

Solution Partner	SIEMENS
Automation	

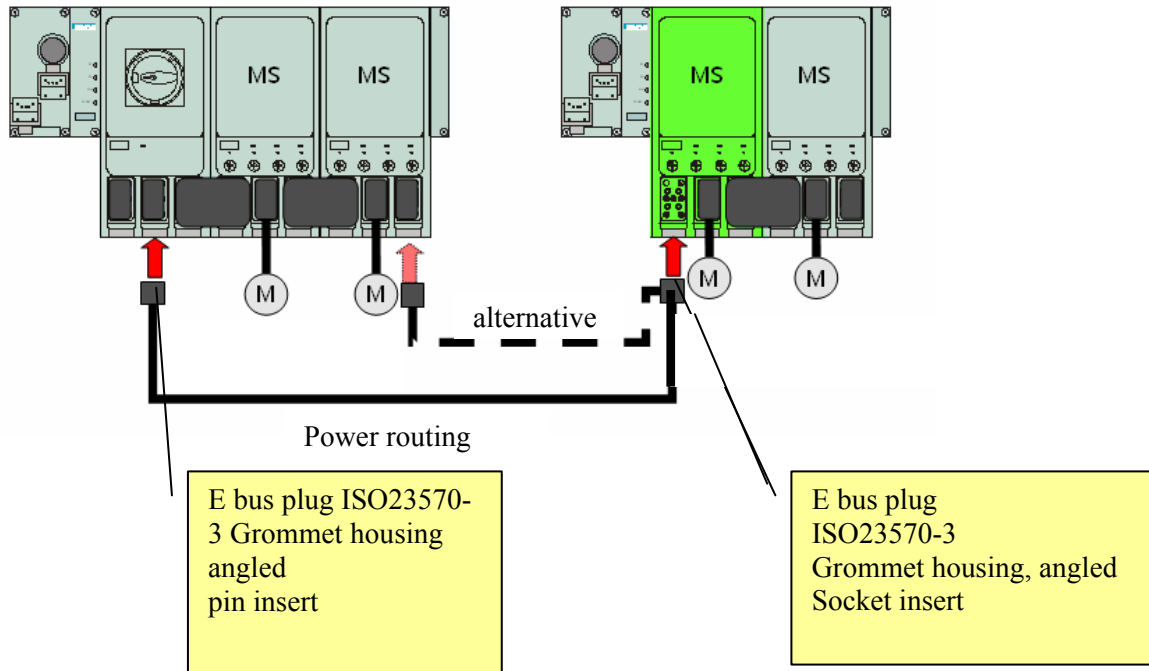
2.9 Plug sets for power supply cables



Purchase order number	Description	RRP €
ZKT:10030900 ZKT:10030910	Plug set for power supply e.g. for connection to the T-termination connector Consisting of coupling housing, straight outlet (with bar) pin insert for E bus plug ISO23570-3 Screwing for cable cross-section 10,0 – 18,0 mm 5 contact pins 2,5mm² 4 contact pins 2,5mm²	
ZKT:10017700 ZKT:10017710	5 contact pins 4mm² 4 contact pins 4mm²	
ZKT:10017800 ZKT:10017810	5 contact pins 6mm² 4 contact pins 6mm²	
	Plug set for power supply for connection to the MS/RSM Grommet housing, angled outlet Socket insert for E bus plug ISO23570-3 Screwing for cross-section	
ZKT:10031000 ZKT:10031010	5 contact sockets 2,5mm² from 7 to 14 mm 4 contact sockets 2,5mm²	
ZKT:10018100 ZKT:10018110	5 contact sockets 4mm² from 7 to 14 mm 4 contact sockets 4mm²	
ZKT:10018200 ZKT:10018210	5 contact sockets 6mm² 4 contact sockets 6mm² from 11,5 to 15,5 mm	

The prices quoted are based on a copper price of €150/100 kg and are exclusive of the material supplement and VAT. The supplement is calculated on the basis of the DEL prices on the date on which the order is received plus 1% procurement costs.

2.10 Power transmission from Repair switch module (RSM)/ Motor starter (MS) to converted Motor starter (MS)



2.10.1 Cross-section 2,5mm²

Purchase order number	Description	RRP €
	Power transmission RSM/MS - MS for ET 200pro E bus plug ISO23570-3 angled E bus plug ISO23570-3 angled 4x2,5mm ²	
ZKT:70015100000150	Length 1,5m	
ZKT:70015100000300	Length 3m	
ZKT:70015100000500	Length 5m	
ZKT:70015100001000	Length 10m	

2.10.2 Cross-section 4mm²

Purchase order number	Description	RRP €
	Power transmission RSM/MS - MS for	

The prices quoted are based on a copper price of €150/100 kg and are exclusive of the material supplement and VAT. The supplement is calculated on the basis of the DEL prices on the date on which the order is received plus 1% procurement costs.

KnorrTec; Kapellenbergstraße 34; D-93176 Beratzhausen;
 Tel +49 94 93/ 9 51 96 90; www.knorrtec.de

Issue
 02/2008
 page 19

Solution Partner
 Automation

SIEMENS



ZKT:70015200000150	ET 200pro E bus plug ISO23570-3 angled E bus plug ISO23570-3 angled 4x4mm ² Length 1,5m	
ZKT:70015200000300	Length 3m	
ZKT:70015200000500	Length 5m	
ZKT:70015200001000	Length 10m	

2.10.3 Cross-section 6mm²

Purchase order number	Description	RRP €
ZKT:70013100000150	Power transmission RSM/MS - MS for ET 200pro E bus plug ISO23570-3 angled E bus plug ISO23570-3 angled 4x6mm ² Length 1,5m	
ZKT:70013100000300	Length 3m	
ZKT:70013100000500	Length 5m	
ZKT:70013100001000	Length 10m	

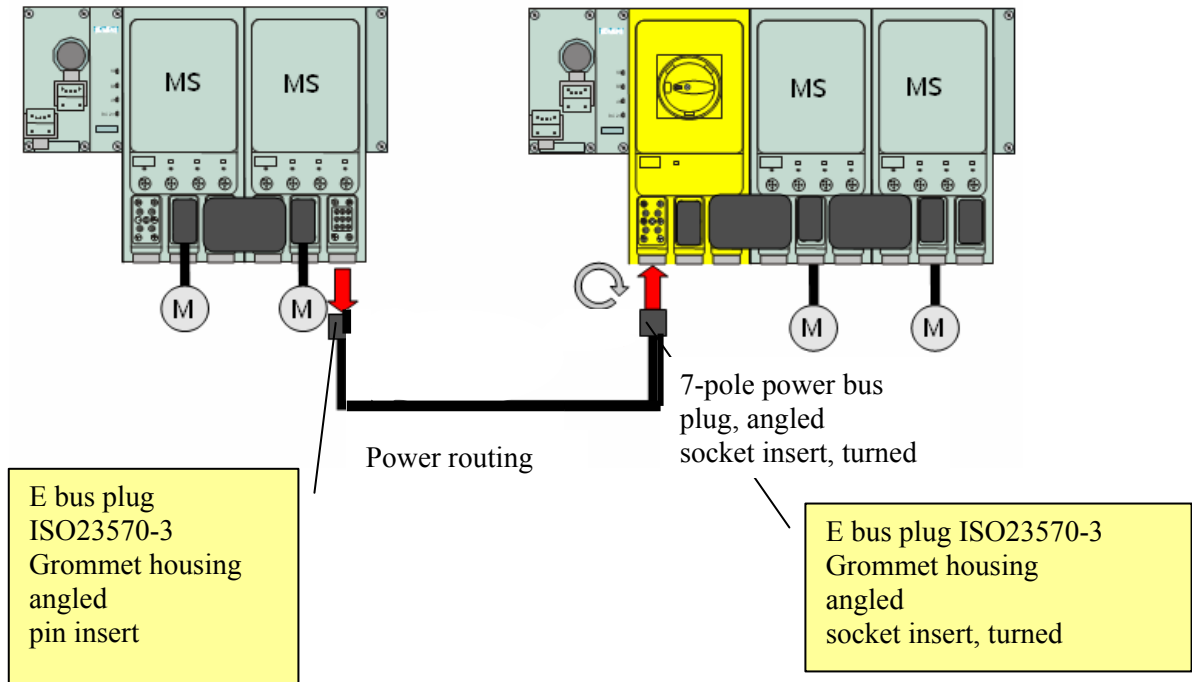
The prices quoted are based on a copper price of €150/100 kg and are exclusive of the material supplement and VAT. The supplement is calculated on the basis of the DEL prices on the date on which the order is received plus 1% procurement costs.

KnorrTec; Kapellenbergstraße 34; D-93176 Beratzhausen;
 Tel +49 94 93/ 9 51 96 90; www.knorrtec.de

Issue
 02/2008
 page 20

Solution Partner	SIEMENS
Automation	

2.11 Power transmission from Motor starter (MS) to converted Repair switch module (RSM)



2.11.1 Cross-section 2,5mm²

Purchase order number	Description	RRP €
ZKT:70014300000150	Power transmission MS - RSM for ET 200pro E bus plug ISO23570-3 angled E bus plug ISO23570-3 angled RSM side insert, turned RSM-Seite 4x2,5mm ² Length 1,5m	
ZKT:70014300000300	Length 3m	
ZKT:70014300000500	Length 5m	
ZKT:70014300001000	Length 10m	



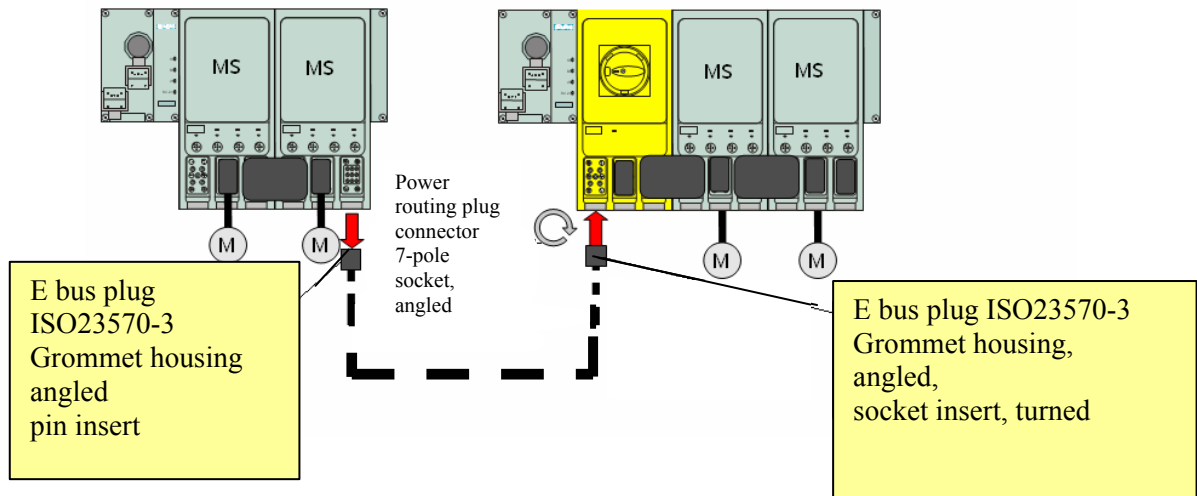
2.11.2 Cross-section 4mm²

Purchase order number	Description	RRP €
ZKT:70014400000150	Power transmission MS - RSM for ET 200pro E bus plug ISO23570-3 angled E bus plug ISO23570-3 angled RSM side insert, turned 4x4mm ² Length 1,5m	
ZKT:70014400000300	Length 3m	
ZKT:70014400000500	Length 5m	
ZKT:70014400001000	Length 10m	

2.11.3 Cross-section 6mm²

Purchase order number	Description	RRP €
ZKT:70013000000150	Power transmission MS - RSM for ET 200pro E bus plug ISO23570-3 angled E bus plug ISO23570-3 angled RSM side insert, turned 4x6mm ² Length 1,5m	
ZKT:70013000000300	Length 3m	
ZKT:70013000000500	Length 5m	
ZKT:70013000001000	Length 10m	

2.12 Plug set for Power transmission

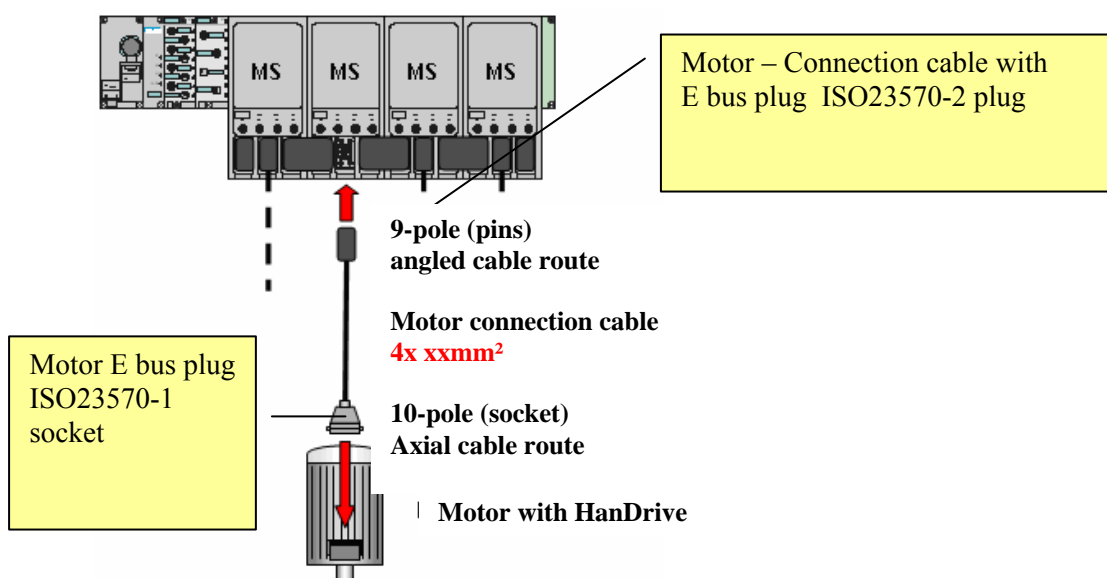


Purchase order number	Description	RRP €
ZKT:10031100 ZKT:10031110	Plug set for power transmission for connection to the MS/RSM Grommet housing angled outlet Pin insert for E bus plug ISO23570-3 Screwing for Cross-section 5 contact pins 2,5mm² from 7 to 14 mm 4 contact pins 2,5mm² from 7 to 14 mm	
ZKT:10017500 ZKT:10017510	5 contact pins 4mm² from 11,5 to 15,5 mm 4 contact pins 4mm² from 7 to 14 mm	
ZKT:10017600 ZKT:10017610	5 contact pins 6mm² 4 contact pins 6mm² from 11,5 to 15,5 mm	
ZKT:10031000 ZKT:10031010	Plug set for power supply for connection to the MS/RSM Grommet housing angled outlet Socket insert for E bus plug ISO23570-3 Screwing for Cross-section 5 contact sockets 2,5mm² from 7 to 14 mm 4 contact sockets 2,5mm² from 7 to 14 mm	
ZKT:10018100 ZKT:10018110	5 contact sockets 4mm² from 11,5 to 15,5 mm 4 contact sockets 4mm² from 7 to 14 mm	
ZKT:10018200 ZKT:10018210	5 contact sockets 6mm² 4 contact sockets 6mm² from 11,5 to 15,5 mm	

The prices quoted are based on a copper price of €150/100 kg and are exclusive of the material supplement and VAT. The supplement is calculated on the basis of the DEL prices on the date on which the order is received plus 1% procurement costs.

3 Motor connection

3.1 Motor cable for motors in star connection, without brakes, converted



3.1.1 Cross-section 1,5mm²

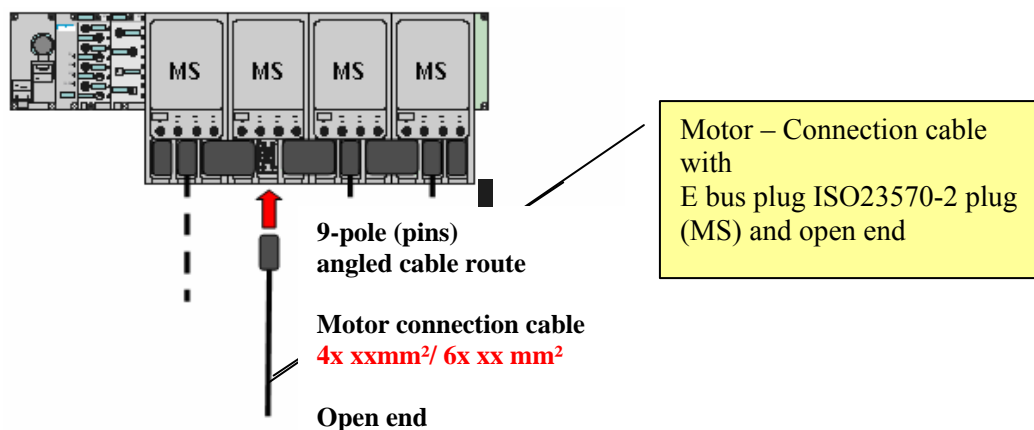
Purchase order number	Description	RRP €
ZKT:70014600000150	Motor cable for MS ET 200pro, ET 200X, AS-i Compact with star bridge for motors without a brake E bus plug ISO23570-2 angled – E bus plug ISO23570-1 4x1,5mm ² Length 1,5m	
ZKT:70014600000300	Length 3m	
ZKT:70014600000500	Length 5m	

3.1.2 Cross-section 2,5mm²

Purchase order number	Description	RRP €
ZKT:70014700000150	Motor cable for MS ET 200pro, ET 200X, AS-i Compact with star bridge for motors without a brake E bus plug ISO23570-2 angled – E bus plug ISO23570-1 4x2,5mm ² Length 1,5m	
ZKT:70014700000300	Length 3m	
ZKT:70014700000500	Length 5m	

The prices quoted are based on a copper price of €150/100 kg and are exclusive of the material supplement and VAT. The supplement is calculated on the basis of the DEL prices on the date on which the order is received plus 1% procurement costs.

3.2 Motor cable for motors in star connection, with or without a brake, one-sided converted



3.2.1 Without brake

3.2.1.1 Cross-section 1,5mm²

Purchase order number	Description	RRP €
ZKT:70014800000150	Motor cable for MS ET 200pro, ET 200X, AS-i Compact, for motors with star bridge, without a brake E bus plug ISO23570-2 angled - open 4x1,5mm ² Length 1,5m	
ZKT:70014800000300	Length 3m	
ZKT:70014800000500	Length 5m	

3.2.1.2 Cross-section 2,5mm²

Purchase order number	Description	RRP €
ZKT:70014900000150	Motor cable for MS ET 200pro, ET 200X, AS-i Compact, for motors with star bridge, without a brake E bus plug ISO23570-2 angled - open 4x2,5mm ² Length 1,5m	
ZKT:70014900000300	Length 3m	
ZKT:70014900000500	Length 5m	

The prices quoted are based on a copper price of €150/100 kg and are exclusive of the material supplement and VAT. The supplement is calculated on the basis of the DEL prices on the date on which the order is received plus 1% procurement costs.



3.2.2 With brake

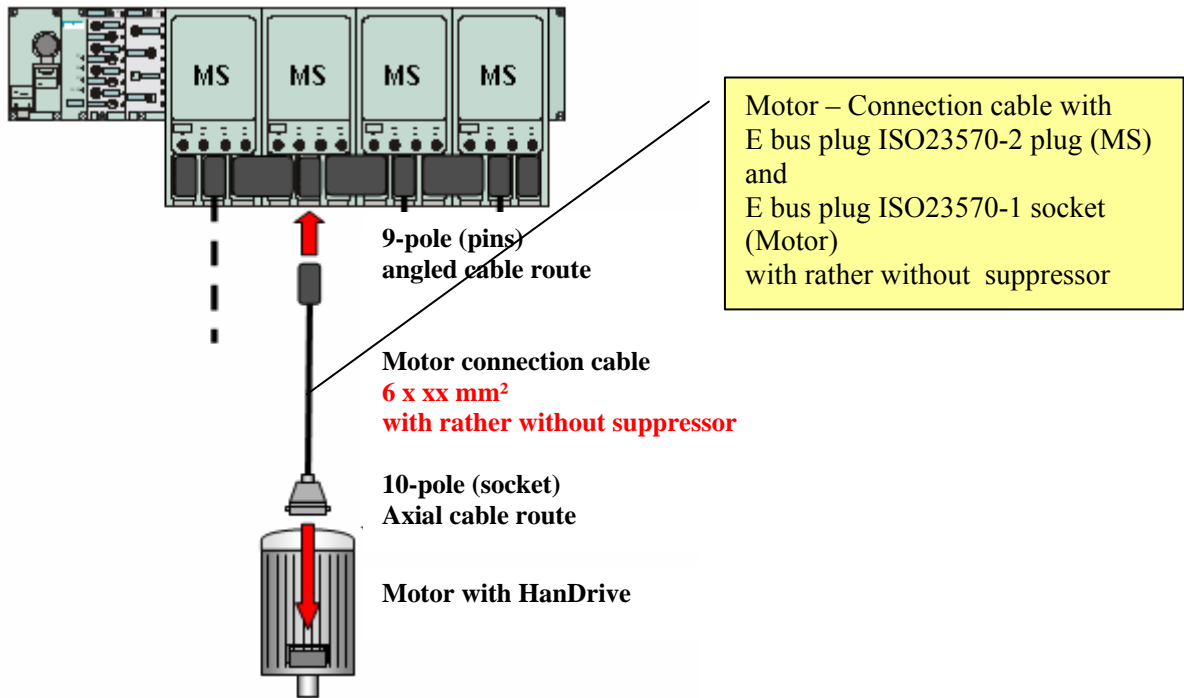
3.2.2.1 Cross-section 1,5mm²

Purchase order number	Description	RRP €
	Motor cable for MS ET 200pro, ET 200X, AS-i Compact, for motors with star bridge, with a brake E bus plug ISO23570-2 angled - open 6x1,5mm ²	
ZKT:70009500000150	Length 1,5m	
ZKT:70009500000300	Length 3m	
ZKT:70009500000500	Length 5m	

3.2.2.2 Cross-section 2,5mm²

Purchase order number	Description	RRP €
	Motor cable for MS ET 200pro, ET 200X, AS-i Compact, for motors with star bridge, with a brake E bus plug ISO23570-2 angled - open 6x2,5mm ²	
ZKT:70015400000150	Length 1,5m	
ZKT:70015400000300	Length 3m	
ZKT:70015400000500	Length 5m	

3.3 Motor cable for motors in star connection with rather without suppressor for the brake, converted



3.3.1 Without suppressor

3.3.1.1 Cross-section 1,5mm²

Purchase order number	Description	RRP €
ZKT:70013300000150	Motor cable for MS ET 200pro, ET 200X with star bridge for motor with a brake, without suppressor E bus plug ISO23570-2 angled – E bus plug ISO23570-1 6x1,5mm ² Length 1,5m	
ZKT:70013300000300	Length 3m	
ZKT:70013300000500	Length 5m	

3.3.1.2 Cross section 2,5mm²

Purchase order number	Description	RRP €
ZKT:70015300000150	Motor cable for MS ET 200pro, ET 200X with star bridge for motors with brake without suppressor brake E bus plug ISO23570-2 gewinkelt E bus plug ISO23570-1 6x2,5mm ² Length 1,5m	
ZKT:70015300000300	Length 3m	
ZKT:70015300000500	Length 5m	

3.3.2 With Suppressor

3.3.2.1 Cross-section 1,5mm²

Purchase order number	Description	RRP €
ZKT:70013400000150	Motor cable for MS ET 200pro, ET 200X with star bridge for motors with brake and suppressor brake E bus plug ISO23570-2 angled E bus plug ISO23570-1 6x1,5mm ² Length 1,5m	
ZKT:70013400000300	Length 3m	
ZKT:70013400000500	Length 5m	

3.3.2.2 Cross-section 2,5mm²

Purchase order number	Description	RRP €
ZKT:70015000000150	Motor cable for MS ET 200pro, ET 200X with star bridge for motors with brake and suppressor brake E bus plug ISO23570-2 angled E bus plug ISO23570-1 6x2,5mm ² Length 1,5m	
ZKT:70015000000300	Length 3m	
ZKT:70015000000500	Length 5m	



3.4 Motor cable 1,5mm² by the meter

Purchase order number	Description	RRP €
ZKT:10030010	Motor cable by the meter 4x1,5mm ² Length 10m (D =10 mm)	
ZKT:10030020	Motor cable by the meter 4x1,5mm ² Length 50m (D =10 mm)	
ZKT:10030110	Motor cable by the meter 6x1,5mm ² Length 10m (D =12,5 mm)	
ZKT:10030120	Motor cable by the meter 6x1,5mm ² Length 50m (D =12,5 mm)	

3.5 Motor cable 2,5mm² by the meter

Purchase order number	Description	RRP €
ZKT:10029410	Motor cable by the meter 4x2,5mm ² Length 10m (D =11,1 mm)	
ZKT:10029420	Motor cable by the meter 4x2,5mm ² Length 50m (D =11,1 mm)	
ZKT:10029710	Motor cable by the meter 6x2,5mm ² Length 10m (D =15 mm)	
ZKT:10029720	Motor cable by the meter 6x2,5mm ² Length 50m (D =15 mm)	

The prices quoted are based on a copper price of €150/100 kg and are exclusive of the material supplement and VAT. The supplement is calculated on the basis of the DEL prices on the date on which the order is received plus 1% procurement costs.

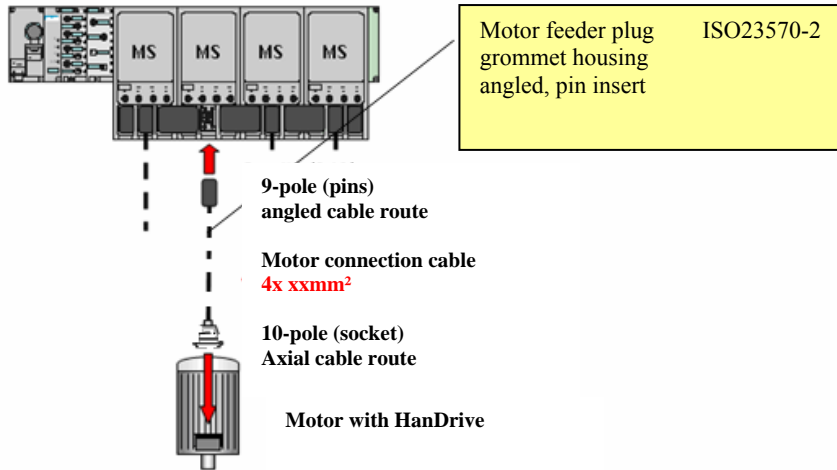
KnorrTec; Kapellenbergstraße 34; D-93176 Beratzhausen;
 Tel +49 94 93/ 9 51 96 90; www.knorrtec.de

Issue
 02/2008
 page 29

Solution Partner
 Automation

SIEMENS

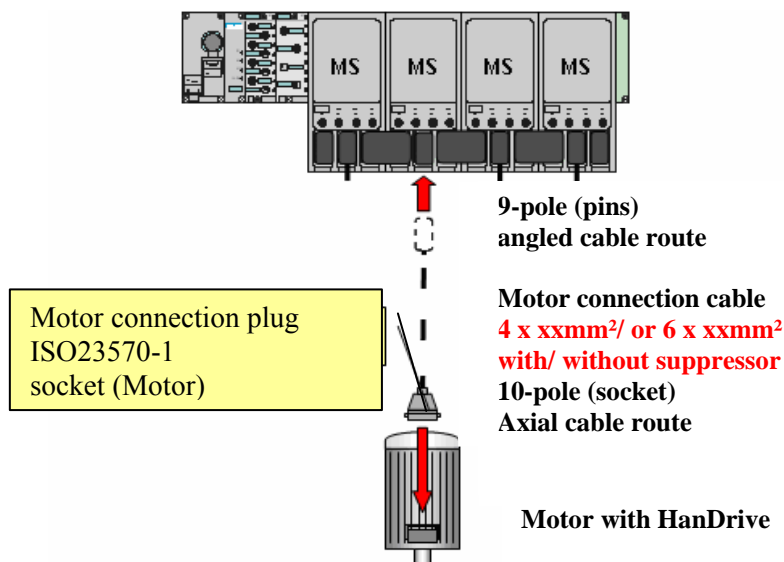
3.6 Plug set for motor connection cable to the motor side (MS)



Purchase order number	Description	RRP €
ZKT:10019110	Plug set for motor cable connection to the MS Grommet housing angled outlet Pin insert for E bus plug ISO23570-2 Screwing for cable cross-section 6 Contact pins 1,5mm² from 7 to 14 mm	
ZKT:10018310	6 Contact pins 2,5mm² from 11,5 to 15,5 mm	

The prices quoted are based on a copper price of €150/100 kg and are exclusive of the material supplement and VAT. The supplement is calculated on the basis of the DEL prices on the date on which the order is received plus 1% procurement costs.

3.7 Plug sets for motor connection cable to the motor side



3.7.1 Without Suppressor

Purchase order number	Description	RRP €
ZKT:10025800	Plug set for motor cable for connection to the MS, star bridge pre-assembled Grommet housing Socket E bus plug ISO23570-1 Screwing plastic for cable cross-section up to 11 –20 mm 5 Contact pins 1,5mm² for L1, L2, L3, brake	
ZKT:10025820	5 Contact pins 2,5mm² for L1, L2, L3, brake	

3.7.2 Mit Schutzbeschaltung

Purchase order number	Description	RRP €
ZKT:10025900	Plug set for motor cable for connection to the MS, star bridge pre-assembled Grommet housing Socket E bus plug ISO23570-1 Screwing plastic for cable cross-section up to 11 –20 mm 5 Contact pins 1,5mm² for L1, L2, L3, brake	
ZKT:10025920	5 Contact pins 2,5mm² for L1, L2, L3, brake	

The prices quoted are based on a copper price of €150/100 kg and are exclusive of the material supplement and VAT. The supplement is calculated on the basis of the DEL prices on the date on which the order is received plus 1% procurement costs.

KnorrTec; Kapellenbergstraße 34; D-93176 Beratzhausen;
 Tel +49 94 93/ 9 51 96 90; www.knorrtec.de

Issue
 02/2008
 page 31

Solution Partner
 Automation

SIEMENS

4 Accessories

4.1 Sealing Caps

Purchase order number	Description	RRP €
ZKT:10029800	Sealing cap E bus plug Bus-Stecker ISO23570-3 and Q8/0 For coupling housing or mounted housing with pin insert (set 5 piece)	
ZKT:10029810	Sealing cap E bus plug ISO23570-3 and Q8/0 For coupling housing or mounted housing with socket insert (set 5 piece)	
ZKT:10029820	Sealing cap E bus plug ISO23570-3 and Q8/0 (with bar) for grommet housing with socket insert (set 5 piece)	
ZKT:10029900	Sealing cap E bus plug ISO23570-1 for grommet housing (with bar) (set 5 piece)	

4.2 Plug sets for power bus to connect control enclosure

Purchase order number	Description	RRP €
ZKT:10019020	Control enclosure ducts E bus plug ISO23570-3 mounted housing socket insert for 5x2,5mm ²	
ZKT:10019010	Control enclosure ducts E bus plug ISO23570-3 mounted housing socket insert for 5x4mm ²	
ZKT:10019000	Control enclosure ducts E bus plug ISO23570-3 mounted housing socket insert for 5x6mm ²	

4.3 Crimping tool

Purchase order number	Description	RRP €
ZKT:30020500	Crimping tool for E bus plug ISO23570-3 ; E bus plug ISO23570-2; E bus plug ISO23570-1 for cross-sections from 1,5mm ² to 6mm ²	



4.4 Removal tools for pins and sockets

Purchase order number	Description	RRP €
ZKT:30020600	Removal tool for E bus plug ISO23570-3 for cross-sections from 1,5mm ² to 6mm ²	
ZKT:30020700	Removal tool for E bus plug ISO23570-2; E bus plug ISO23570-1 for cross sections from 1,5mm ² to 2,5mm ²	

4.5 Test adapters

Purchase order number	Description	RRP €
ZKT:10012600	Power bus test adapter (Q4/2)	
ZKT:10012800	Motor connector test adapter (10E)	
ZKT:10030800	Test case power test adapter for system cables with Q4/2, Q8/0 und 10E	

5 Specification

5.1 General requirements

5.1.1 General requirements for cables

These properties apply to all the power and motor cables described below.

- The sheath color is black (RAL9005)
- They always must have a yellow-and-green protective conductor
- Round cables
- Unshielded cables
- Pre-converted cables are always available in
 - fixed lengths
 - variable lengths at length intervals of 10cm

5.1.2 Mechanical requirements

All power cables must satisfy the following requirements:

- High resistance to oil and chemicals at room temperature
- Minimum bending radius 15x external diameter
- Temperature range:
 - Moving: -5°C to +70°C
 - Fixed: -30°C to +70°C
- Conductor structure: Fine wires to VDE 0295, Class 5 / IEC 228 Cl.5
- External sheath PVC, flame-resistant to IEC 60332-2-1 and DIN VDE 0482-265-2-1

5.1.3 Electrical requirements

The following requirements apply to all power and motor cables

- Test voltage at least 2000 V
- Rated voltage U_0/U 300V/500V
- Insulation Specific volume resistance $> 20 \text{ G}\Omega \times \text{km}$

5.1.4 General requirements for plug connectors

5.1.4.1 Screw connectors on housing

As screw connectors of the plug connectors are preferable M-screw connectors inserted; depending to the availability there could also be PG screw connectors inserted.

5.1.4.2 Requirements for 7-pole plug connector

5.1.4.2.1 Housing

- Plastic
- Limit temperatures: -40°C / +125°C
- Protection type when locked IP 65
- M/(PG) screw connector
- Contact insert
- Plastic
- Limited temperatures: -40°C / +125°C

The prices quoted are based on a copper price of €150/100 kg and are exclusive of the material supplement and VAT. The supplement is calculated on the basis of the DEL prices on the date on which the order is received plus 1% procurement costs.

KnorrTec; Kapellenbergstraße 34; D-93176 Beratzhausen;
Tel +49 94 93/ 9 51 96 90; www.knorrtec.de

- Safe to touch in accordance with IEC 60529

5.1.4.2.2 Contacts

- Copper alloy
- Surface hard silver-plated
- Crimped contacts

5.1.4.3 Requirements for 9-pole plug connector

5.1.4.3.1 Housing

- Plastic
- Limited temperatures: -40°C / +125°C
- Protection type when locked IP 65
- M/(PG)-screw connector

5.1.4.3.2 Contact insert

- Plastic
- Limited temperature: -40°C / +125°C

5.1.4.3.3 Contacts

- Copper alloy
- Surface hard silver-plated
- Crimped contacts

5.1.4.4 Requirements for 10-pole plug connector with protective conductor

5.1.4.4.1 Housing

- Die-cast aluminium housing
- Limited temperatures: -40°C / +125°C
- Protection type when locked IP 65
- M-screw connector

5.1.4.4.2 Contact insert

- Plastic
- Limited temperatures: -40°C / +125°C

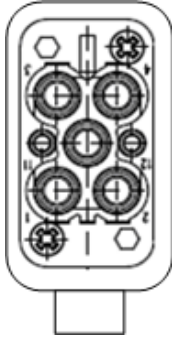
5.1.4.4.3 Contacts

- Copper alloy
- Surface hard silver-plated
- Crimped contacts or cage strain spring terminals

5.1.5 Plug connections of converted cables

All cables are connected in accordance with the ISO 23570-3 standard.

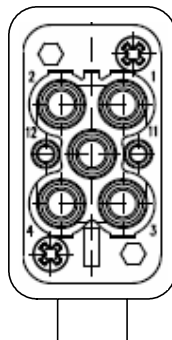
5.1.5.1 Power cable 7-pole socket



plug assignment:

Pin	
1	L1
2	L2
3	L3
4	-
11	-
12	-
⊕	PE

5.1.5.2 Power cable 7-pole socket; turned socket gedrehte Buchse

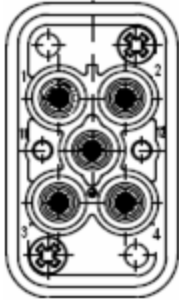


plug assignment:

Pin	
1	L1
2	L2
3	L3
4	-
11	-
12	-
⊕	PE

The prices quoted are based on a copper price of €150/100 kg and are exclusive of the material supplement and VAT. The supplement is calculated on the basis of the DEL prices on the date on which the order is received plus 1% procurement costs.

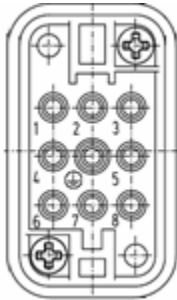
5.1.5.3 Power cables for 7-pole pins



plug assignment:

Pin	
1	L1
2	L2
3	L3
4	-
11	-
12	-
⊕	PE

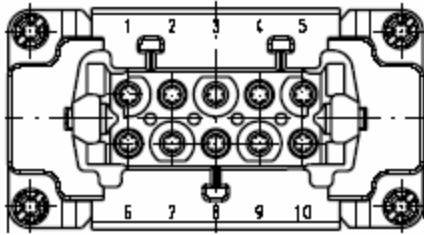
5.1.5.4 Motor cables for 9-pole pins



plug assignment:

Pin	
1	L1
2	-
3	L3
4	brake
5	-
6	brake
7	L2
8	
⊕	PE

5.1.5.5 Motor connection plug 10-pole with PE socket for star connection

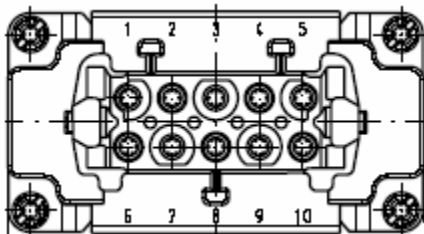


plug assignment:

PIN	
1	L1
2	L2
3	L3
4	brake
5	brake
6	● ● ●
7	
8	
9	
10	
⊕	PE

bridge

5.1.5.6 Motor connection plug 10-pole with PE socket for star connection with suppressor



plug assignment:

PIN	
1	L1
2	L2
3	L3
4	brake
5	brake
6	● ● ●
7	
8	
9	
10	
⊕	PE

suppressor

bridge

The prices quoted are based on a copper price of €150/100 kg and are exclusive of the material supplement and VAT. The supplement is calculated on the basis of the DEL prices on the date on which the order is received plus 1% procurement costs.

5.1.6 Power cables

Power cables are available with the following cross-sections:

- 4 x 2,5 mm² 5 x 2,5 mm²
- 4 x 4 mm² 5 x 4 mm²
- 4 x 6 mm² 5 x 6 mm²

5.1.7 Technical datas for T-distributors

5.1.7.1 Housing

- Plastic
- Operating temperature: -25°C bis +70°C (T-terminal connector)
- Operating temperature: -30°C bis +55°C (Powerbox)
- Protection type when locked IP65

5.1.7.2 Contact insert for 7-pole connection (extern)

- Plastic
- Limited temperatures: -40°C / +125°C
- Safe to touch in accordance with IEC 60529

5.1.7.3 Contacts

- Copper alloy
- Connection equipment depending on design:
- Insulating-piercing/ screw connector
- Insulating-piercing connector

5.1.7.4 Plug connector with cable

See: Cables section 5.1.1 General requirements for cables and section 5.1.4.2 Requirements for 7-pole power supply.

5.1.8 Pack units

5.1.8.1 Leitungen

5.1.8.1.1 *Not-converted (by the meter)*

Not-converted cables are always sold by the meter, and are supplied on a cable ring or a cable drum..

5.1.8.1.2 *Converted*

These cables are always supplied individually.

5.1.8.2 Plug connector

The pack unit is one unit.

The prices quoted are based on a copper price of €150/100 kg and are exclusive of the material supplement and VAT. The supplement is calculated on the basis of the DEL prices on the date on which the order is received plus 1% procurement costs.

KnorrTec; Kapellenbergstraße 34; D-93176 Beratzhausen;
Tel +49 94 93/ 9 51 96 90; www.knorrtec.de



5.1.8.3 Accessories

The pack unit is one unit in this case as well. The pack unit may also be 5 or 10 units for small parts such as sealing caps.

5.2 Standards and regulations

5.2.1 Cables

- ISO 23570-3
- VDE 0295, Class 5
- IEC 228 Cl.5
- IEC 60332-2-1
- DIN VDE 0482-265-2-1

5.2.2 Plug connectors

- DIN VDE 0110
- DIN VDE 0627
- DIN EN 61 984
- IEC 60529
- ISO 23570-3

6 Solution Partner services

6.1 Bespoke products

KnorrTec also develops and supplied bespoke solutions on request, as well as modifications and variations of all the products listed in the catalog.

6.2 Pre sales and After sales-Service

KnorrTec also develops and supplied bespoke solutions on request, as well as modifications and variations of all the products listed in the catalog.

KnorrTec support

KnorrTec offers extensive technical support services for its own products, including:

- Planning and project work
- Commissioning
- Cable specifications

KnorrTec service

KnorrTec also provides after-sales support:

- Repair service
- Spare parts service
- Hotline service